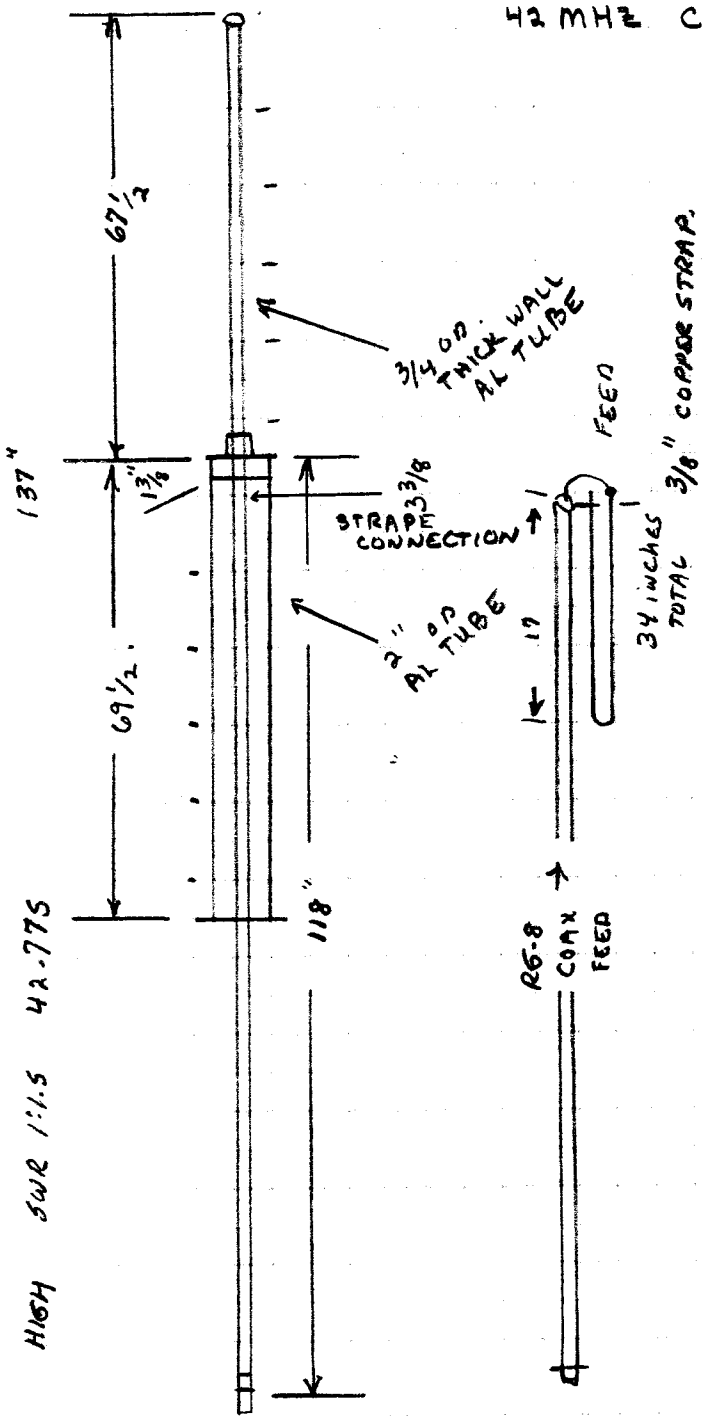


42 MHz COAXIAL 1/2 λ DIPOLE ANT



LOW SWR 1:1.5 42.120
 CENTER SWR 1:1 42.463
 HIGH SWR 1:1.5 42.775

42.775
 42.120
 .655 KHz BW @ 1:1.5 SWR EDGES.