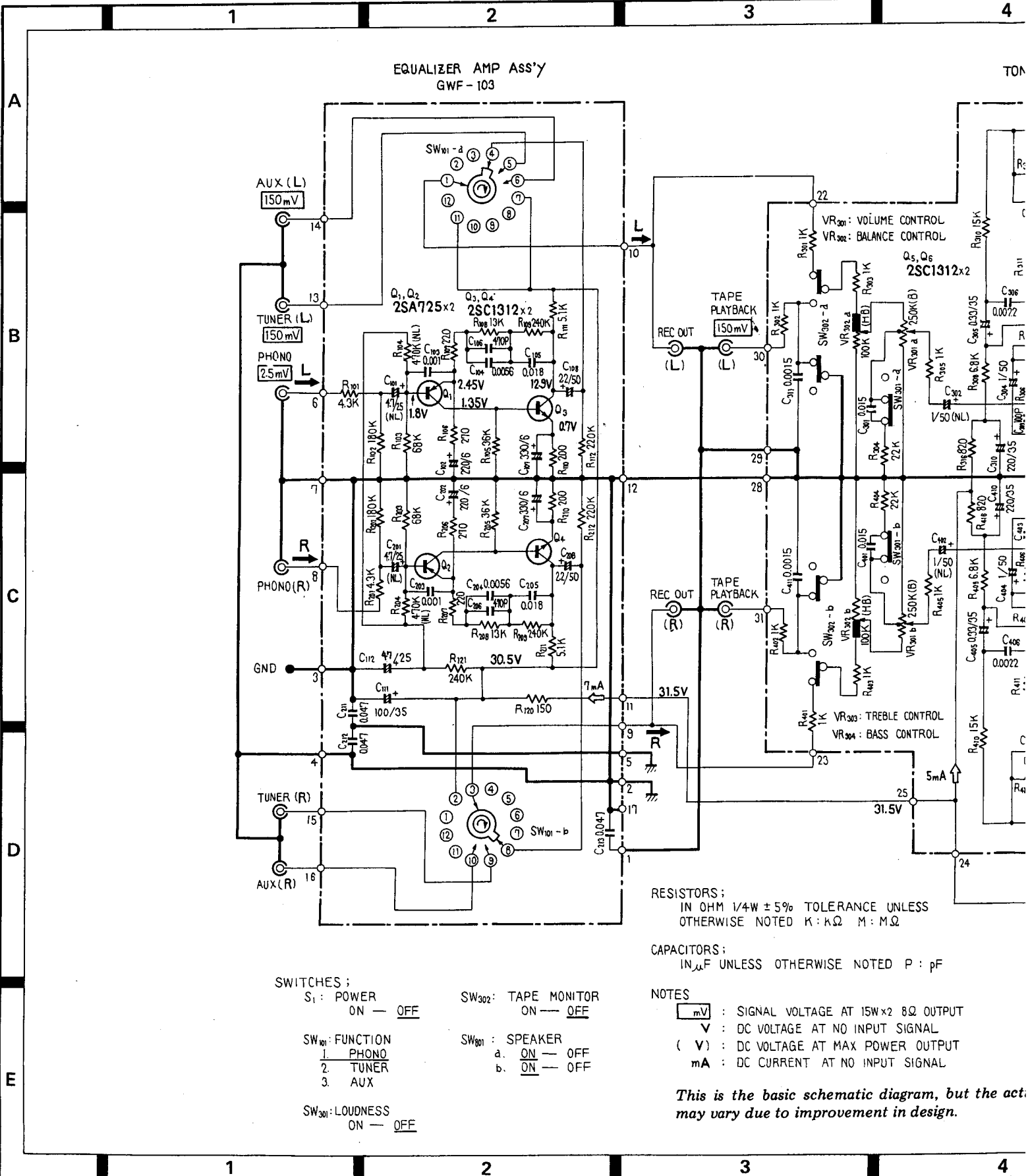


STEREO AMPLIFIER

SA-5500II KU



This is the basic schematic diagram, but the act. may vary due to improvement in design.

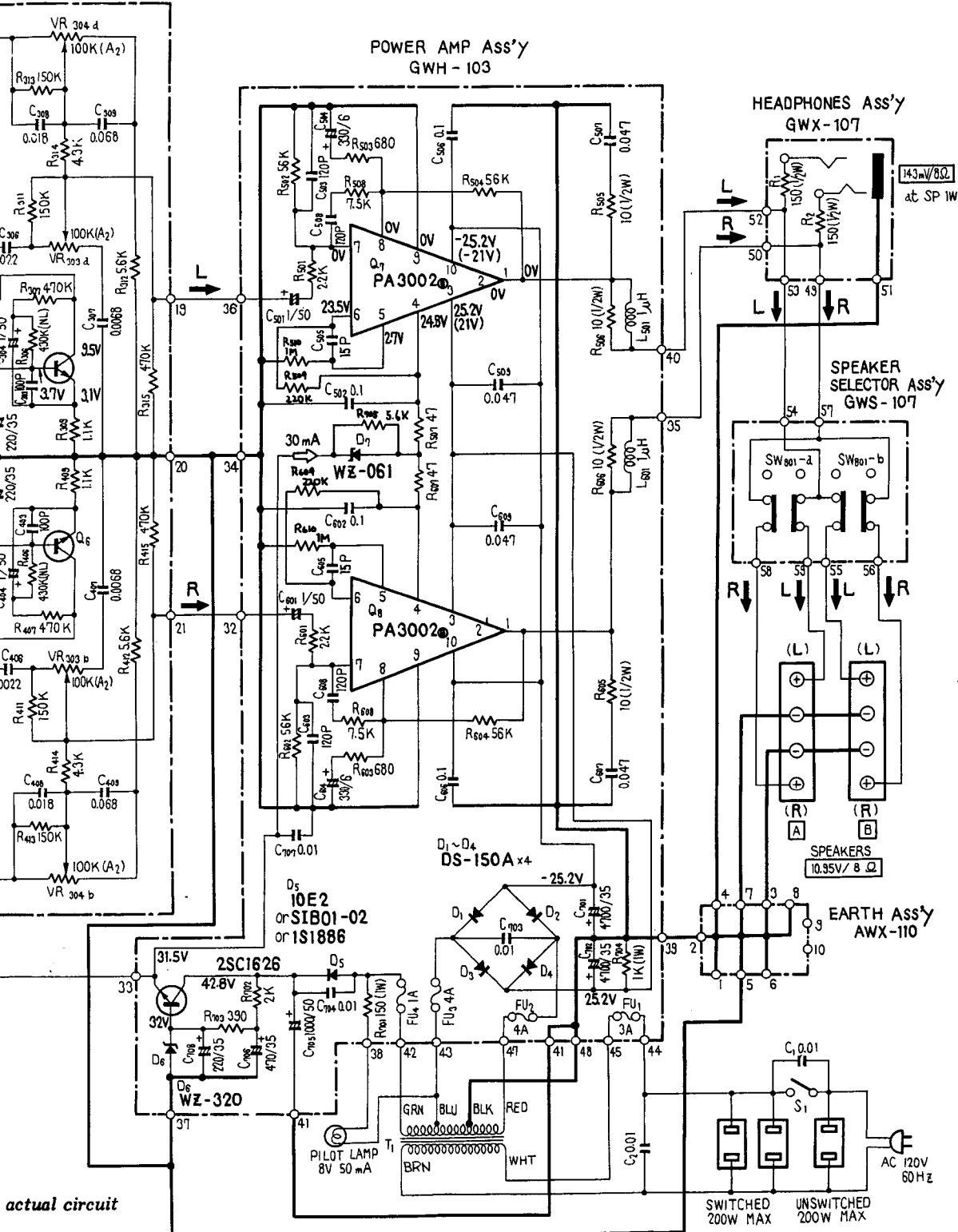
TONE AMP Ass'y
GWG - 103

POWER AMP Ass'y
GWH - 103

HEADPHONES Ass'y
GWX - 107

SPEAKER SELECTOR Ass'y
GWS - 107

EARTH Ass'y
AWX - 110



actual circuit

SWITCHED 200W MAX
UNSWITCHED 200W MAX

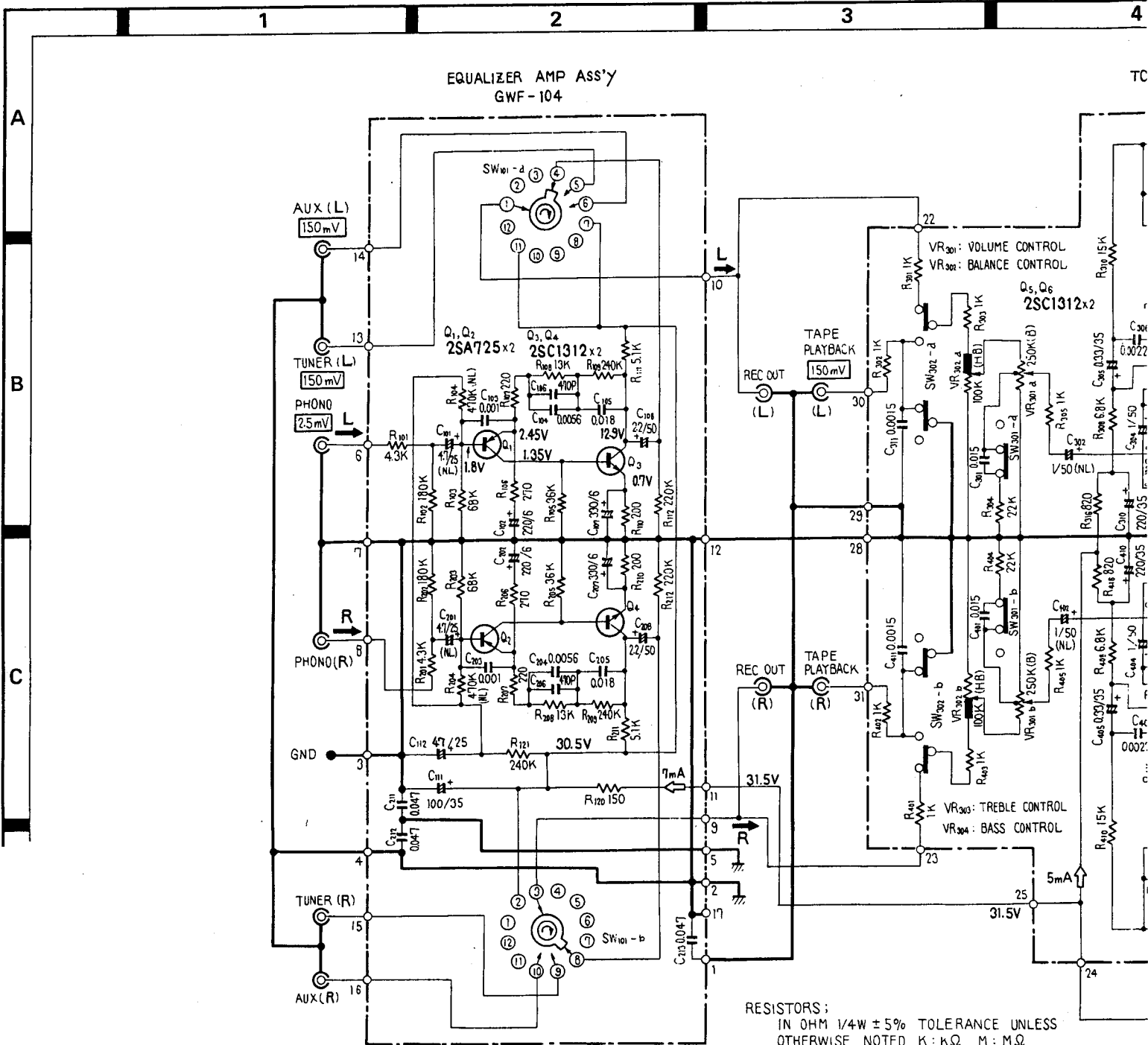
AC 120V
60Hz

SPEAKERS
10.95V / 8 Ω

143mW/8Ω
at SP IW

STEREO AMPLIFIER

SA-5500II KC



RESISTORS:
IN OHM 1/4W ± 5% TOLERANCE UNLESS
OTHERWISE NOTED K: kΩ M: MΩ

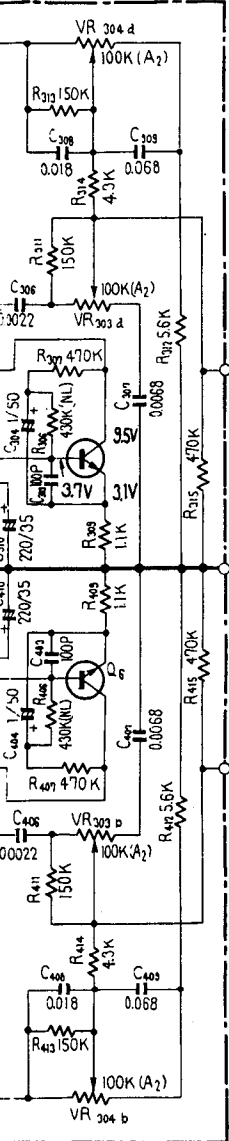
CAPACITORS:
IN μF UNLESS OTHERWISE NOTED P: pF

- SWITCHES:
- S₁: POWER ON — OFF
 - SW₁₀₁: FUNCTION
 - 1. PHONO
 - 2. TUNER
 - 3. AUX
 - SW₃₀₁: LOUDNESS ON — OFF
 - SW₃₀₂: TAPE MONITOR ON — OFF
 - SW₃₀₁: SPEAKER
 - a. ON — OFF
 - b. ON — OFF

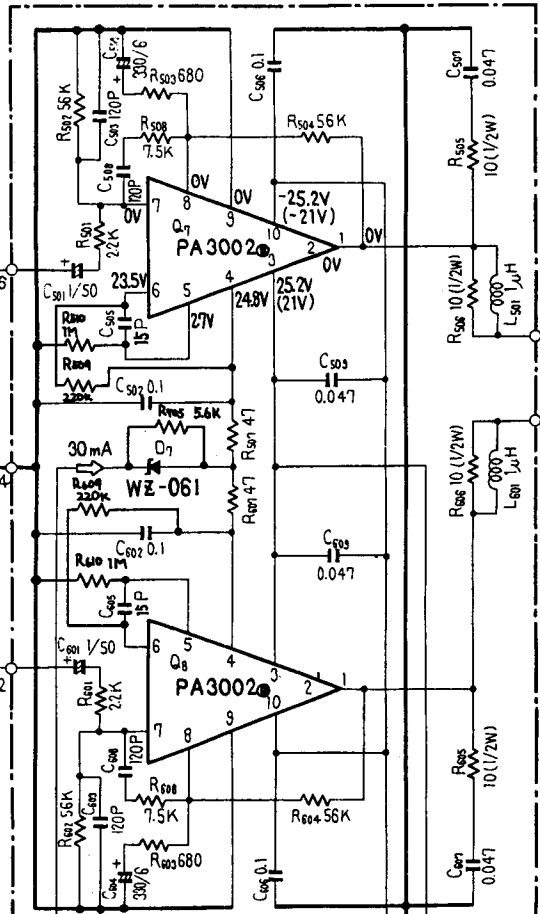
- NOTES
- mV : SIGNAL VOLTAGE AT 15W x2 8Ω OUTPUT
 - V : DC VOLTAGE AT NO INPUT SIGNAL
 - (V) : DC VOLTAGE AT MAX POWER OUTPUT
 - mA : DC CURRENT AT NO INPUT SIGNAL

This is the basic schematic diagram, but the c may vary due to improvement in design.

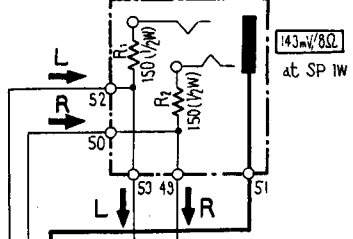
TONE AMP ASS'y
GWG - 104



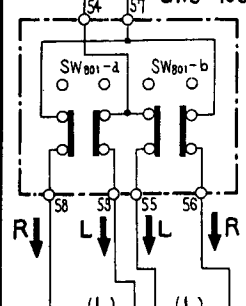
POWER AMP ASS'y
GWH - 104



HEADPHONES ASS'y
GWX - 108

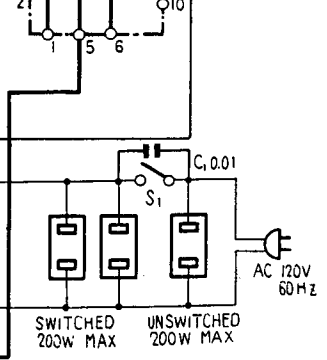


SPEAKER SELECTOR ASS'y
GWS - 108



SPEAKERS
10.35V / 8 Ω

EARTH ASS'y
AWX - 110

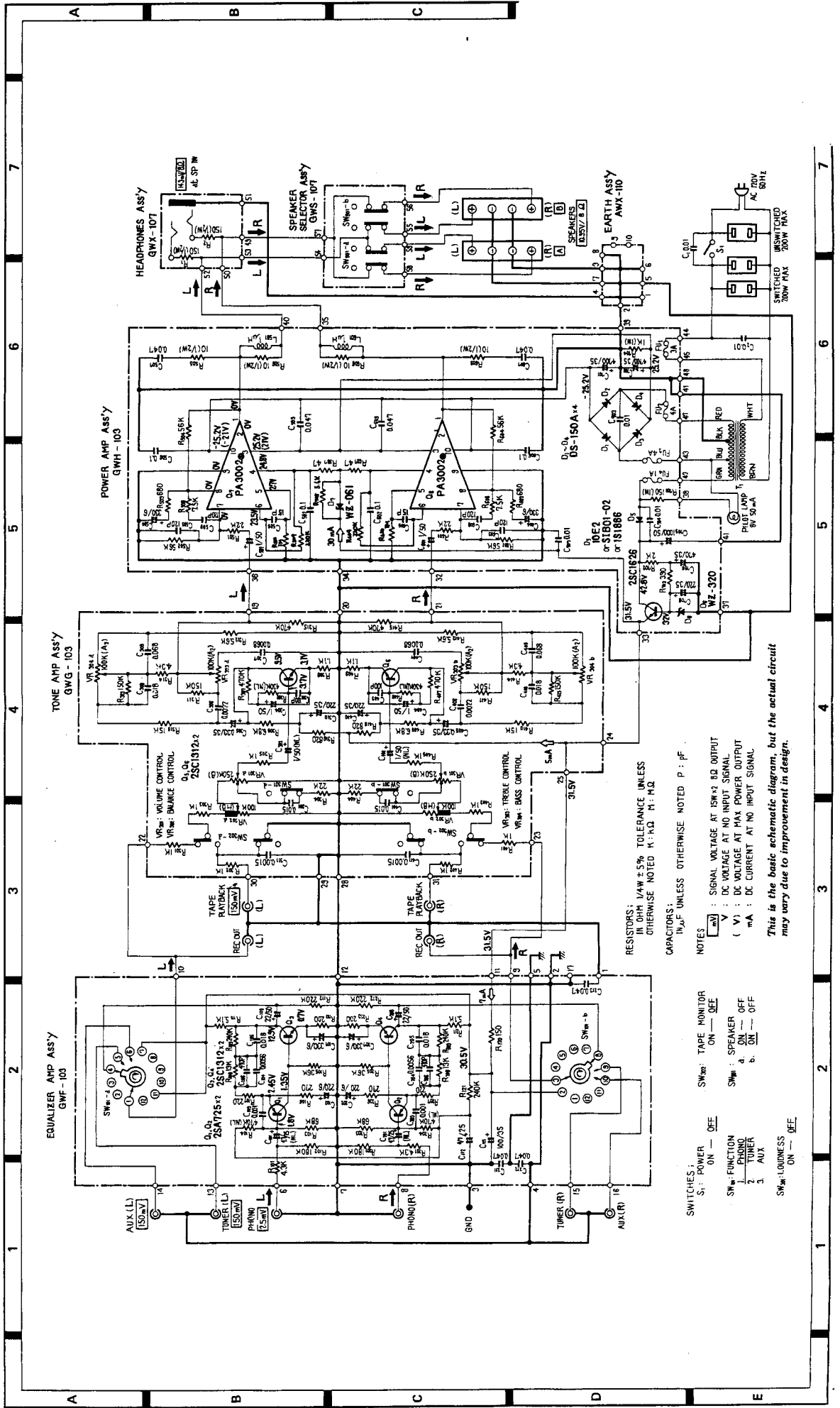


he actual circuit

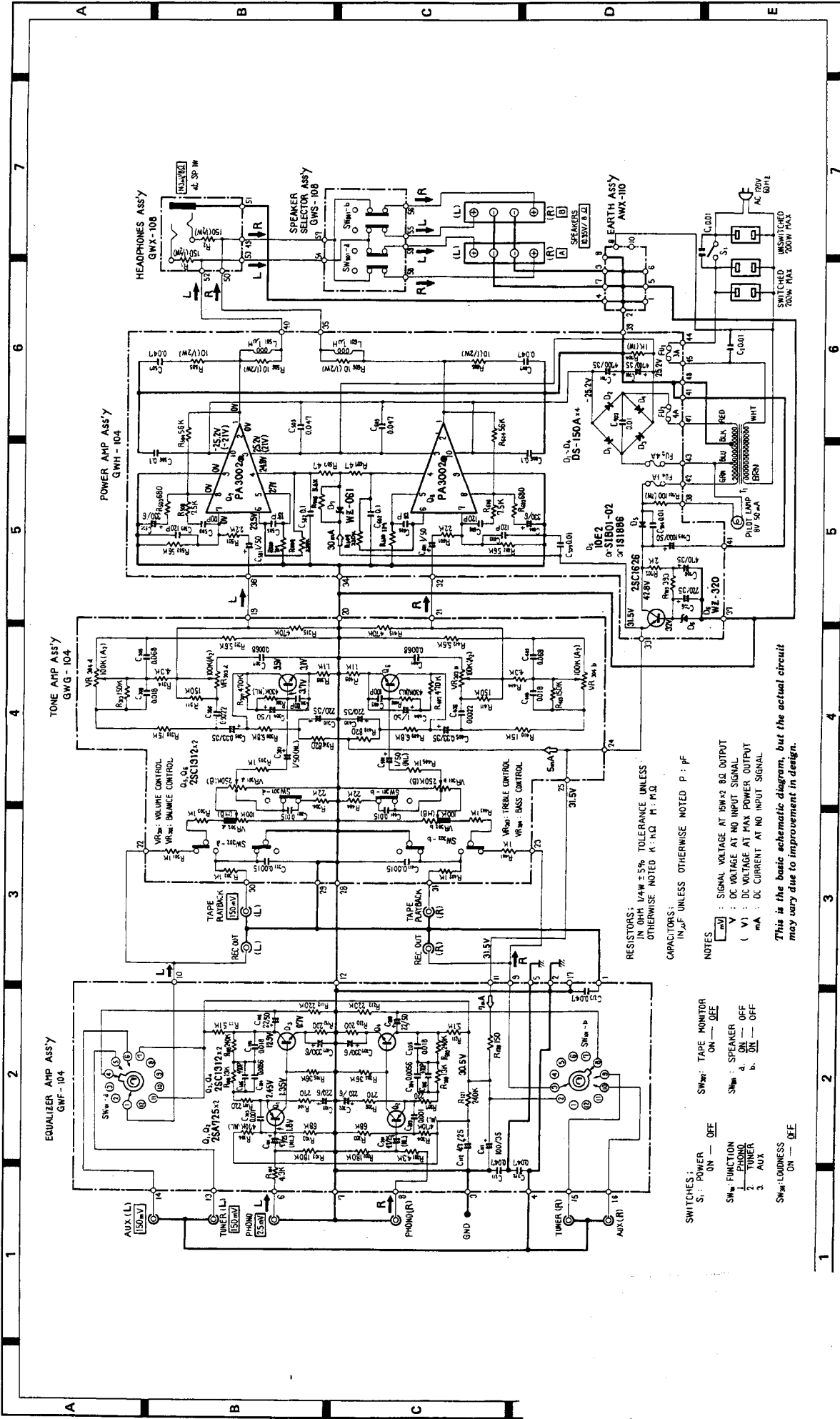
STEREO AMPLIFIER

SA-5500II

CU



STEREO AMPLIFIER SA-5500II KC



RESISTORS:
IN OHM 1/4W ±5% TOLERANCE UNLESS
OTHERWISE NOTED K: KΩ M: MΩ

CAPACITORS:
IN μF UNLESS OTHERWISE NOTED P: PF

- NOTES
- (V) : SIGNAL VOLTAGE AT 10KΩ AC OUTPUT
 - (V) : DC VOLTAGE AT NO INPUT SIGNAL
 - (V) : DC VOLTAGE AT MAX POWER OUTPUT
 - (mA) : DC CURRENT AT NO INPUT SIGNAL

This is the basic schematic diagram, but the actual circuit may vary due to improvement in design.

- SWITCHES:
- S₁: POWER ON — OFF
 - S₂: TAPE MONITOR ON — OFF
 - S₃: SPEAKER a. ON — OFF b. ON — OFF
 - S₄: PHONO TUNER AUX
 - S₅: LOUDNESS ON — OFF